

Product Detail



Product Line:	Johnson (Click for customer service)
Part Number:	105-0603-001
Description:	Tip Jack - Insulated Deluxe
Product Family:	TIP JACK
Body Material:	Nylon 6/6 per ASTM D4066
Breakdown Voltage:	5700 Vrms min.
Color / Finish:	Black
Contact Material:	Beryllium copper over brass
Contact Finish:	Silver
Contact Termination:	Solder
Current:	10 amps
Description:	Insulated Deluxe
For Use With:	.080 (2.00) Tip Plug
Panel Thickness:	Up to .437 (11.10)
RoHS Compliant:	Yes

20070523-1523

Tip Jack Insulated Deluxe

SPECIFICATIONS

Contact: Brass per QQ-B-626D with wrap around
beryllium copper spring per QQ-C-533

Finish: Silver

Body: Nylon 6/6 per ASTM D4066

Hardware: Nickel plated nut (unassembled)

Body Thread Stripping Torque: 0.4 lb. in (4.5 kg. cm.)

Panel Thickness: Up to .437 (11.10)

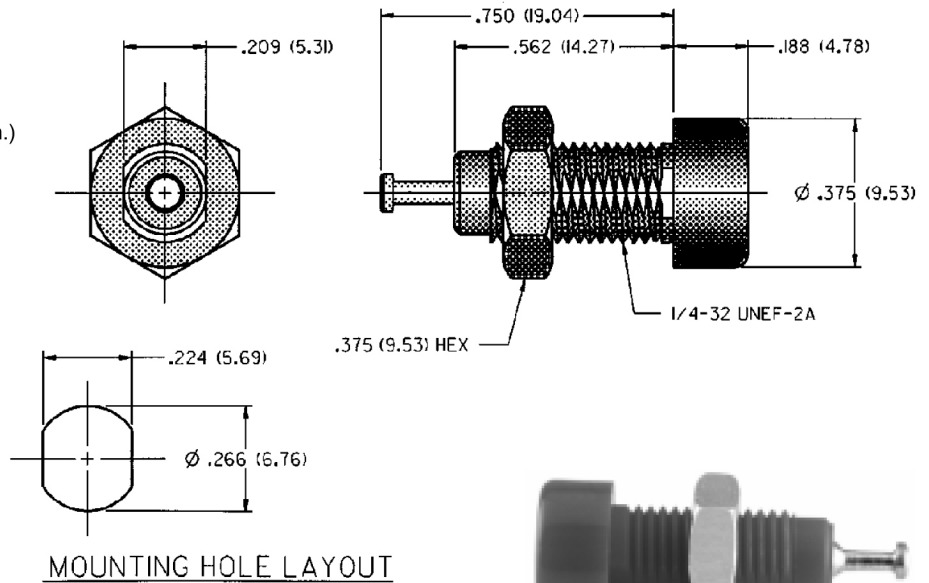
RATINGS

Current: 10 amps

Breakdown Voltage: 5700 Vrms minimum †

Contact Resistance: 0.010 ohms maximum

Contact-To-Panel C: 2 pF nominal



SILVER PLATING	
PART NO.	COLOR
105-0603-001	Black

For Standard Tip Plug: .080 (2.00) Diameter

FEATURES:

- Machined contact with turret terminal
- Hex socket head .188 (4.77) for ease in mounting
- Closed entry blocks access of probes greater than .085 (2.16)
- Nylon UL approved for self extinguishing